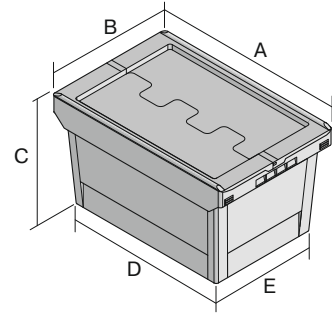


# Multi-purpose containers MB, with locking system

## MBD86321R BS1 | Data sheet



Pos. Dimensions, tolerances as specified in DIN 16901

|   |                     |        |
|---|---------------------|--------|
| A | Outside length top  | 800 mm |
| B | Outside width top   | 600 mm |
| C | Height              | 353 mm |
| D | Base length outside | 690 mm |
| E | Base width outside  | 508 mm |

| Product features | *Load capacity as specified in EN 13117 |
|------------------|-----------------------------------------|
| Proper weight    | 7.58 kg                                 |
| *Stacking load   | 300 kg                                  |
| *Load capacity   | 50 kg                                   |
| Volume           | 109 Litres                              |
| ESD              | No                                      |
| Food safety      | -                                       |
| Material         | PP                                      |
| Stock item       | -                                       |
| Pcs/pack         | 1                                       |
| Colour           | dove blue                               |
| Ref. no.         | 6-20287                                 |

Other colours / special colours on request

| Dimensions, tolerances as specified in DIN 16901 |        |
|--------------------------------------------------|--------|
| Outside length top                               | 800 mm |
| Outside width top                                | 600 mm |
| Height                                           | 353 mm |

Information & Service  
[www.bitocom](http://www.bitocom)

**BITO**  
 STORAGE  
 SYSTEMS

# Multi-purpose containers MB, with locking system

## MBD86321R BS1 | Accessories



**Label covers**  
for multi-purpose containers MB  
W 60 x H 80.4 mm  
**6-15244**



**Transport dolly**  
for multi-purpose containers sized  
800 x 400 mm and 800 x 600 mm  
L 720 x W 540 mm  
**6-19439**